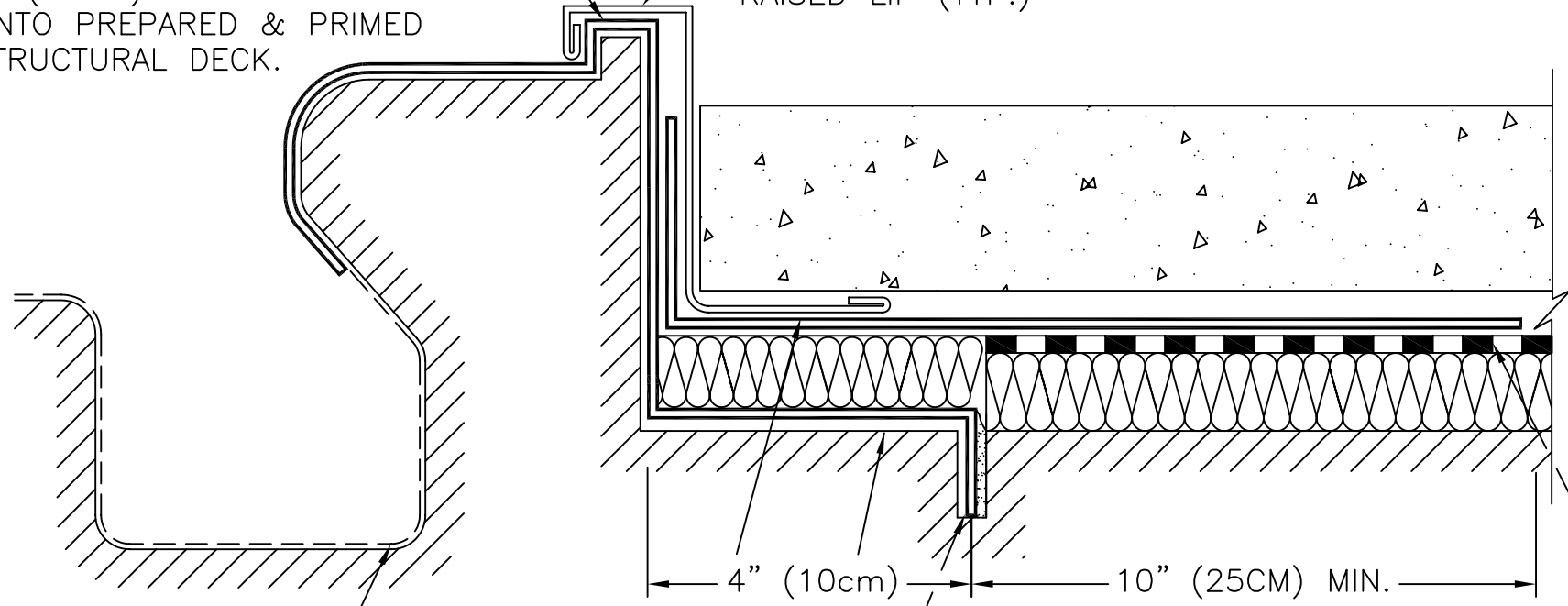


(1) PLY SOPREMA ALSAN RS MEMBRANE FLASHING EXTEND 4" (10cm) MIN. HORIZONTALLY ONTO PREPARED & PRIMED STRUCTURAL DECK.

STAINLESS STEEL OR ALUMINUM KICK PLATE INSTALLED BENEATH EDGE OF PAVER & OVER RAISED LIP (TYP.)



EXISTING FIBERGLASS COATING TO REMAIN.

(1) PLY SOPREMA ALSAN RS MEMBRANE FLASHING EXTEND 10" (25cm) MIN. HORIZONTALLY ONTO EXISTING BUR MEMBRANE.

EXISTING GRANULATED BUR MEMBRANE TO REMAIN. CUT BACK BUR MEMBRANE AS REQUIRED FOR SOPREMA ALSAN RS TIE-IN.


PRE-SATURATE TOP & BOTTOM EDGE OF SOPREMA ALSAN RS FLEECE W/COATING, TUCK INTO 1" MIN. DEEP SAW-CUT REGLET & FILL VOID W/SOPREMA ALSAN RS RESIN.

ACCEPTABLE FILL MATERIAL TO MATCH HEIGHT OF EXISTING WATERPROOFING ADHERED TO SOPREMA ALSAN RS MEMBRANE (TYP.)

4" (10cm) 10" (25CM) MIN.

NOTES:

1. DETAIL TO BE USED IN CONJUNCTION WITH SOPREMA GENERAL REQUIREMENTS, APPLICATION METHODS AND APPROVED DETAILS.
2. METAL SURFACES MUST BE CLEANED AND ABRADED TO COMPLETELY REMOVE ALL COATINGS, DIRT AND DEBRIS. AFTER GRINDING, WIPE ABRADED METAL WITH SOPREMA ALSAN RS CLEANER AND ALLOW TO FLASH OFF BEFORE APPLYING SOPREMA ALSAN RS MEMBRANE.

		310 QUADRAL DRIVE	
		WADSWORTH, OHIO 44281	
		(330) 334-0066	
TITLE			
POOL GUTTER FLASHING (I)			
SCALE	DWN	CHK	APPROVAL DATE
NONE	DMT	MT	5/30/07
DRAWING NUMBER			REV
E-5a-RS			0

** USAGE OF THIS DRAWING IS GOVERNED BY THE TERMS OF SERVICE FOR SOPREMA DETAIL. PLEASE CONSULT THESE TERMS OF SERVICE PRIOR TO UTILIZING THIS DRAWING.