

PRODUCT DATA SHEET

DESCRIPTION & FEATURES

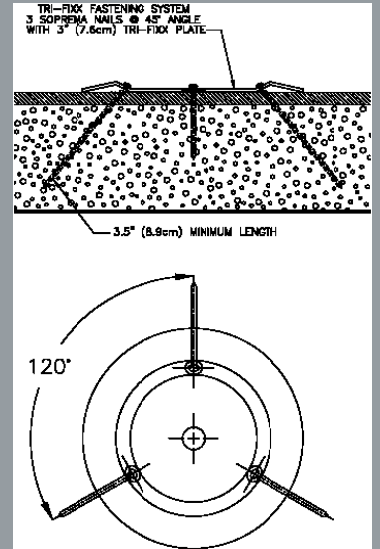
The TRI-FIXX Fastening System is a specialized plate/nail combination that is utilized for mechanically attaching SOPREMA® membranes to lightweight insulating concrete and gypsum substrates. The TRI-FIXX membrane plate is fastened through the plate and into the substrate using three (3) TRI-FIXX Nails at a 45° angle to the plate at the three (3) marked locations on the plate.

STORAGE

All materials should be stored in a dry place, out of direct exposure to the elements. Material should be handled in such a manner as to ensure that it remains dry prior to and during installation.

APPLICATION

Correct placement of the TRI-FIXX Fastening System is important in order for the SOPRAFIX membrane to be effective. It is the installer's responsibility to know the SOPRAFIX membrane being installed and which TRI-FIXX fastening components are required, where and how often these parts are placed within the System. Unless otherwise noted in the TRI-FIXX Approved Details, the installer must center the required TRI-FIXX Seam Plate down the longitudinal middle of the mechanically fastened side lap seam of the SOPRAFIX membrane. Next, the TRI-FIXX nails are installed through the plate and into the approved deck according to the applicable Fastening Pattern(s). The applicator is responsible for ensuring conditions are appropriate to proceed with proper application methods.



PRODUCT INFORMATION

Packaging	500 units per box, 1 plate & 3 nails
Nail description	3.5" Length, 0.15" Shank Diameter, 0.313" Head Diameter
Plate description	3" Diameter, 26-gauge Galvalume
FM 4470 Corrosion Resistance	Exceeds minimum testing criteria

TESTING & APPROVALS

MIAMI-DADE COUNTY
APPROVED



www.soprema.us
310 Quadral Drive, Wadsworth, Ohio 44281
Toll Free: (800) 356-3521 | Tel: (330) 334-0066

PD10117 - REV. 026720