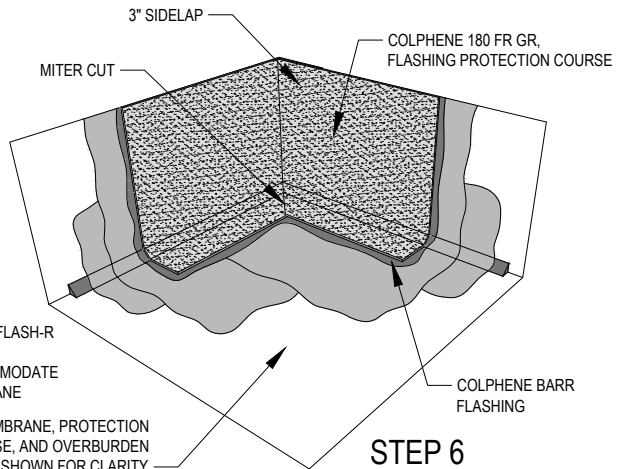
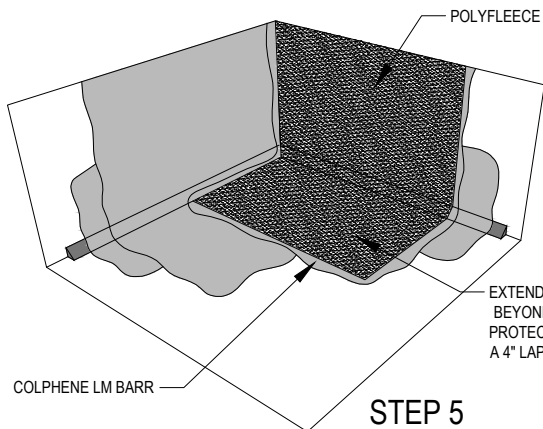
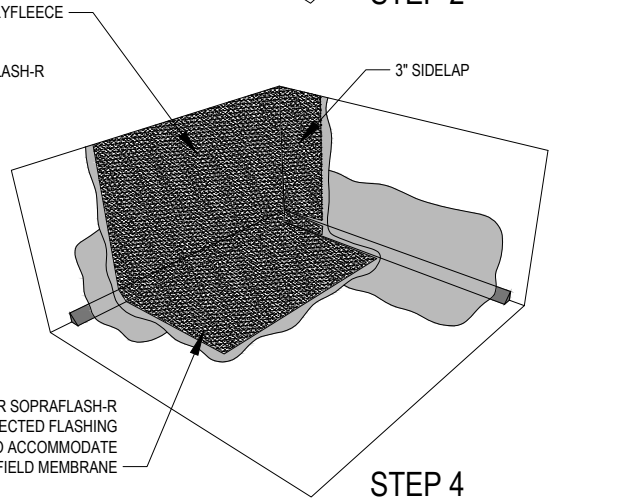
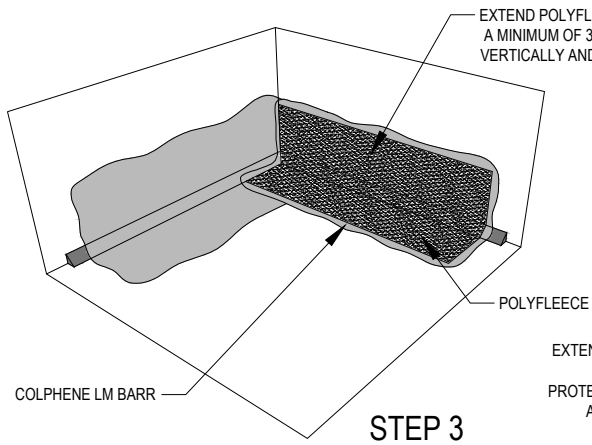
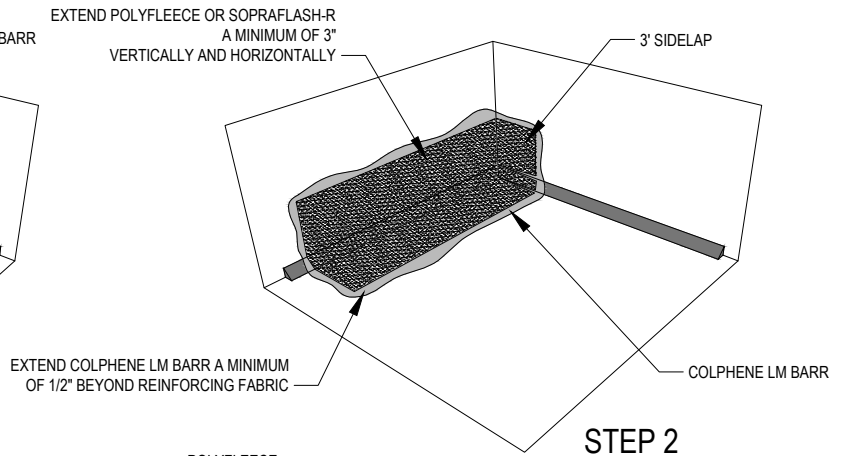
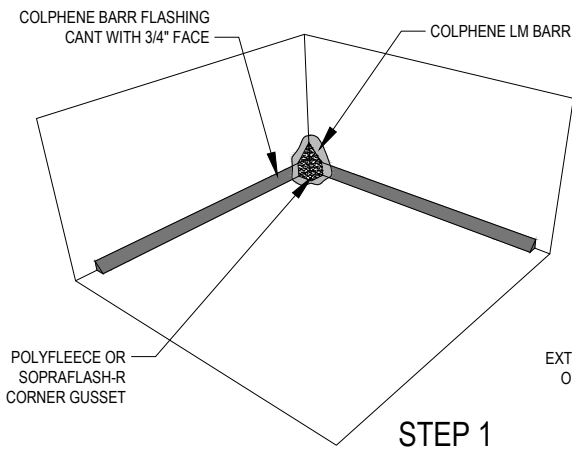


DRAWING MUST BE VIEWED IN ADOBE READER TO ENABLE CUSTOM LAYERING



NOTES:

- SOPREMA DETAIL DRAWINGS: REFER TO SOPREMA AND OTHER RELATED PUBLISHED DOCUMENTATION, PRODUCT DATA SHEETS (PDS) AND SAFETY DATA SHEETS (SDS) FOR ADDITIONAL INFORMATION. ALL DETAIL DRAWINGS AND RELATED INSTALLATION GUIDELINES ARE PROVIDED BY SOPREMA FOR THE SOLE PURPOSE OF ISSUING A SOPREMA WARRANTY. ACCORDINGLY, THE DETAIL DRAWINGS ARE NOT OFFERED, AND SHOULD NOT BE CONSIDERED, AS A SUBSTITUTE FOR PROFESSIONAL DESIGN SERVICES.



US CORPORATE ADDRESS
310 QUADRAL DRIVE
WADSWORTH, OHIO 44281
www.soprema.us
Tel: 330.334.0066

PROJECT:			
TITLE:	COLPHENE LM BARR, NON-INSULATED, INSIDE CORNER		

DRAWN BY: SOPREMA TECHNICAL SUPPORT, GGALLOWAY		
NO.:	REVISION:	DATE:
DATE: 9.4.2023	DRAWING NUMBER: US.WPMSTPE.02.03	
SCALE: NTS		