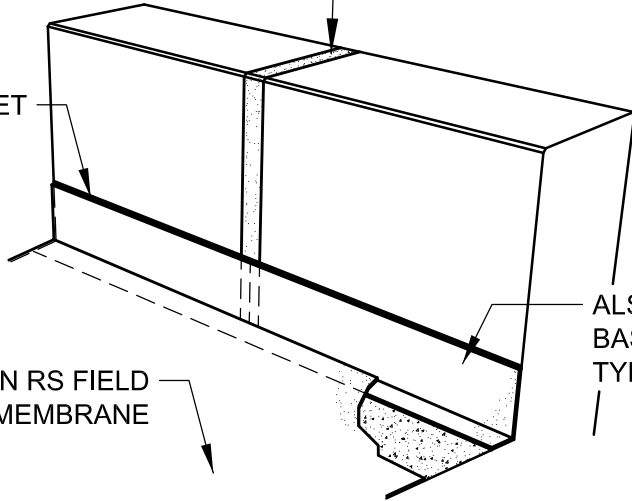


ALSAN RS FLASH MEMBRANE
TURN DOWN OUTSIDE FACE
OF WALL AS REQUIRED.

REGLET

ALSAN RS FIELD
MEMBRANE



ALSAN RS FLASH MEMBRANE
BASE FLASHING - SEE
TYPICAL DETAILS

NOTE:
SIZE WIDTH OF DE-BONDING TAPE TO PROVIDE
UN-ADHERED AREA MINIMUM 5 TIMES LARGER
THAN THE MAXIMUM ANTICIPATED EXPANSION.
MEMBRANE COVER STRIP MUST EXTEND PAST
DE-BONDING TAPE 4" MINIMUM ALL SIDES (TYP.)

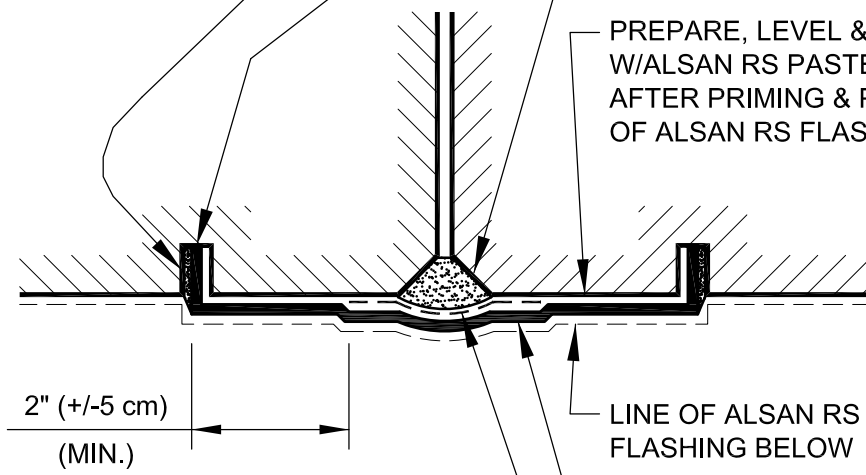
VIEW @ PARAPET WALL

FILL VOID BETWEEN ALSAN RS FLASH MEMBRANE &
REGLET W/ ALSAN RS PASTE OR ACCEPTABLE
FILLER AS REQUIRED.

ALSAN RS FLASH MEMBRANE - PRESATURATED
EDGE TUCKED INTO 1/2" MINIMUM DEEP SAW-CUT
REGLET BOTH SIDES OF JOINT (TYP.)

FILL JOINT W/ ALSAN RS PASTE OR ACCEPTABLE
FILLER AS REQUIRED.

PREPARE, LEVEL & PATCH SUBSTRATE
W/ALSAN RS PASTE OR ALSAN RS MORTAR
AFTER PRIMING & PRIOR TO APPLICATION
OF ALSAN RS FLASH MEMBRANE (TYP.)



2" (+/-5 cm)
(MIN.)

LINE OF ALSAN RS FLASH MEMBRANE BASE
FLASHING BELOW

(1) PLY ALSAN RS FLASH MEMBRANE
STRIP COVERING ENTIRE JOINT
IN PARAPET WALL.

DE-BONDING TAPE SIZED TO ACCOMODATE
MOVEMENT & CENTERED OVER JOINT.

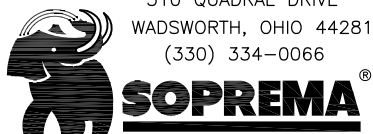
SECTION THRU JOINT

SCALE: NTS

NOTE: REFER TO SOPREMA RELATED PUBLISHED DOCUMENTATION, PRODUCT DATA SHEETS (PDS) & SAFETY DATA SHEETS (SDS) FOR ADDITIONAL INFORMATION. ALL DETAIL DRAWINGS & RELATED INSTALLATION GUIDELINES ARE PROVIDED BY SOPREMA FOR THE SOLE PURPOSE OF SOPREMA WARRANTY QUALIFICATION. ACCORDINGLY, ANY DETAILS DRAWINGS PROVIDED ARE NOT OFFERED AND SHOULD NOT BE CONSIDERED A SUBSTITUTE FOR PROFESSIONAL DESIGN SERVICES. USAGE OF THIS DRAWING IS GOVERNED BY THE TERMS OF SERVICE FOR SOPREMA DETAIL, PLEASE CONSULT THESE TERMS OF SERVICE PRIOR TO UTILIZING THIS DRAWING.

**ALSAN RS WATERPROOFING MEMBRANE
WALL BASE FLASHING (STRIPPED JOINT)**

DRAWING NO.:
RS-J4F



REVISION
0

ISSUE DATE
12-15-2018

SCALE
N.T.S.

DRAWN BY
DRW

RS_J04D