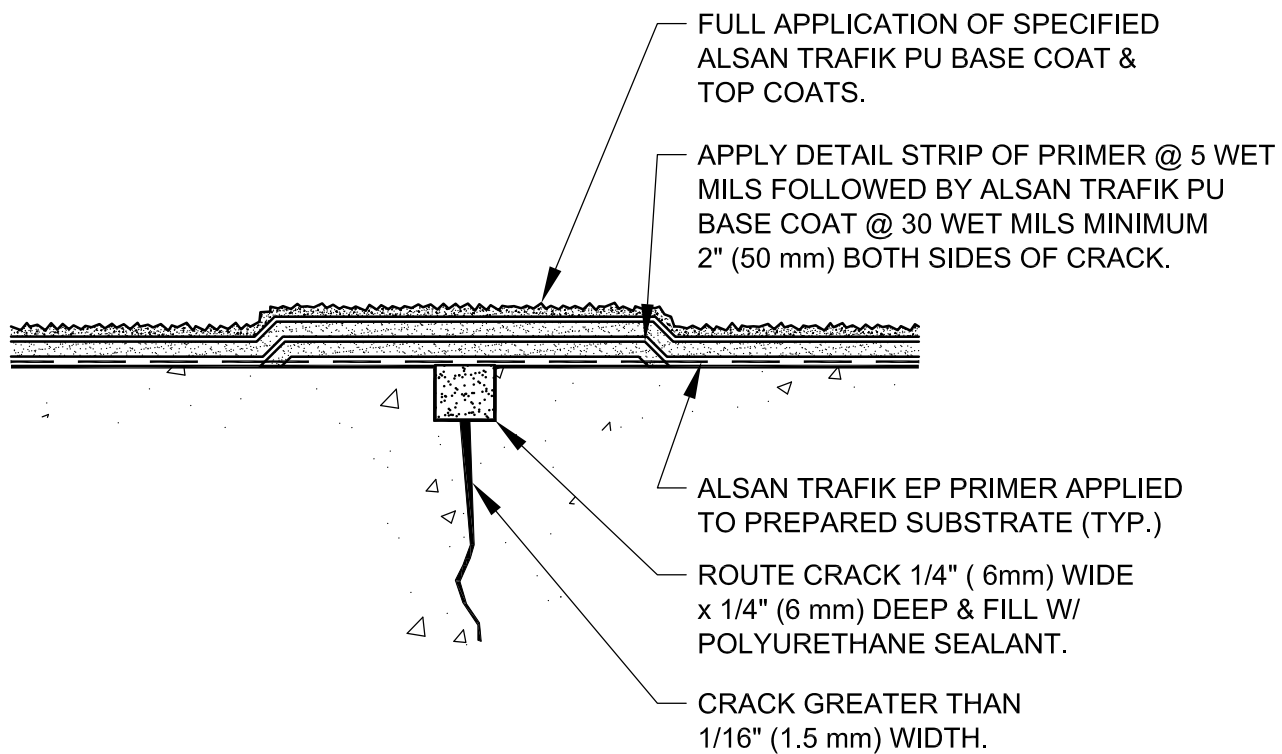


CRACK 1/16" (1.5 mm) or LESS WIDTH



CRACK GREATER THAN 1/16" (1.5mm) WIDTH

SOPREMA DETAIL DRAWINGS: REFER TO SOPREMA AND OTHER RELATED PUBLISHED DOCUMENTATION, PRODUCT DATA SHEETS (PDS) AND SAFETY DATA SHEETS (SDS) FOR ADDITIONAL INFORMATION. ALL DETAIL DRAWINGS AND RELATED INSTALLATION GUIDELINES ARE PROVIDED BY SOPREMA FOR THE SOLE PURPOSE OF ISSUING A SOPREMA WARRANTY. ACCORDINGLY, THE DETAIL DRAWINGS ARE NOT OFFERED, AND SHOULD NOT BE CONSIDERED, AS A SUBSTITUTE FOR PROFESSIONAL DESIGN SERVICES.



US CORPORATE ADDRESS
310 QUADRAL DRIVE
WADSWORTH, OHIO 44281
www.soprema.us
Tel:330.334.0066

PROJECT:

TITLE:

**ALSAN TRAFIK PU DECK COATING
PEDESTRIAN / VEHICULAR TRAFFIC
TYPICAL CRACK TREATMENT**

DRAWN BY: SOPREMA TECHNICAL SUPPORT, DWALDRON

NO.:

REVISION:

DATE:

DATE: 8-5-2020

DRAWING NUMBER:

US.PDC.08.01J

SCALE: NTS

PDC_08_01J

USAGE OF THIS DETAIL IS GOVERNED BY THE TERMS OF SERVICE FOR SOPREMA DETAILS.
PLEASE CONSULT THESE TERMS OF SERVICE PRIOR TO UTILIZING THIS DRAWING.