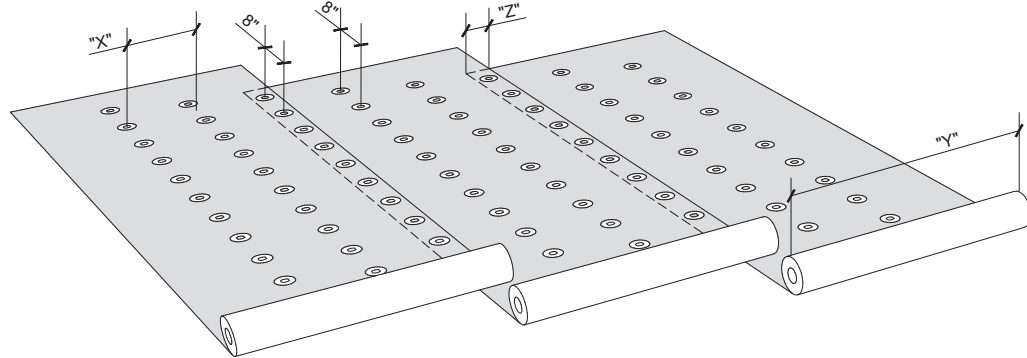


Roll Width (Y)	Lap Width (Z)	Row Spacing (X)	Fasteners Per Square
36in (0.9m)	2in	11.33in	159
36in (0.9m)	3in	11in	164
36in (0.9m)	4in	10.67in	169
39in (1m)	3in	12in	150
39in (1m)	4in	11.67in	154


8,8,8 BASE SHEET FASTENING PATTERN

- ONE (1) ROW AT SIDE LAPS SPACED 8" O.C.
- TWO (2) EQUALLY SPACED INTERMEDIATE ROWS SPACED 8" O.C. AND STAGGERED



NOTES:

1. SOPREMA DETAIL DRAWINGS: REFER TO SOPREMA AND OTHER RELATED PUBLISHED DOCUMENTATION, PRODUCT DATA SHEETS (PDS) AND SAFETY DATA SHEETS (SDS) FOR ADDITIONAL INFORMATION. ALL DETAIL DRAWINGS AND RELATED INSTALLATION GUIDELINES ARE PROVIDED BY SOPREMA FOR THE SOLE PURPOSE OF ISSUING A SOPREMA WARRANTY. ACCORDINGLY, THE DETAIL DRAWINGS ARE NOT OFFERED, AND SHOULD NOT BE CONSIDERED, AS A SUBSTITUTE FOR PROFESSIONAL DESIGN SERVICES.
2. SOPREMA NOR ITS EMPLOYEES ARE DESIGNER OF RECORD FOR ANY PROJECT. FASTENING PATTERNS PROVIDED BY SOPREMA ARE FOR SOPREMA WARRANTY PURPOSES ONLY. REFER TO LOCAL BUILDING CODES, DESIGNER OF RECORD DOCUMENTS, AND JURISDICTIONAL/AGENCY APPROVALS FOR PROJECT-SPECIFIC FASTENING REQUIREMENTS.
3. ROOF ZONE GUIDELINES PROVIDED HEREIN ARE OFFERED FOR REFERENCE. REFER TO ASCE/SEI 7 FOR SPECIFIC REQUIREMENTS.

 <p>US CORPORATE ADDRESS 310 QUADRAL DRIVE WADSWORTH, OHIO 44281 www.soprema.us Tel:330.334.0066</p>	PROJECT:	DRAWN BY: SOPREMA TECHNICAL SUPPORT, GGALLOWAY		
	TITLE: 8,8,8 BASE SHEET FASTENING PATTERN	NO.:	REVISION:	DATE:
		DATE: 2.17.2020	DRAWING NUMBER: US.FP.01.06	
		SCALE: NTS		