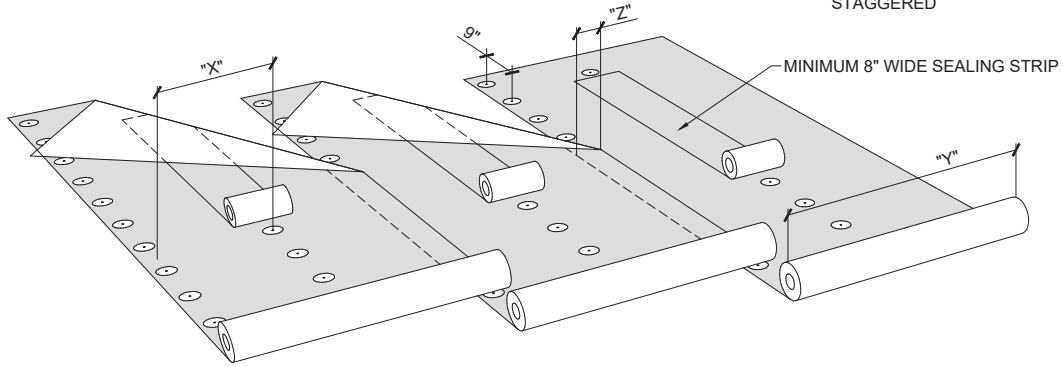


| Roll Width (Y) | Lap Width (Z) | Row Spacing (X) | Fasteners Per Square |
|----------------|---------------|-----------------|----------------------|
| 39in (1m)      | 4in           | 17.5in          | 92                   |
| 39in (1m)      | 5in           | 17in            | 95                   |
| 39in (1m)      | 6in           | 16.5in          | 97                   |

**9" O.C. IN LAP AND ONE ROW BETWEEN LAPS AT 9" O.C. FASTENING PATTERN**

- ONE (1) ROW WITHIN THE CENTER OF THE SIDE LAPS SPACED 9" O.C.
- ONE (1) INTERMEDIATE ROW, WITH FASTENERS SPACED 9" O.C. AND STAGGERED



**NOTES:**

1. SOPREMA DETAIL DRAWINGS: REFER TO SOPREMA AND OTHER RELATED PUBLISHED DOCUMENTATION, PRODUCT DATA SHEETS (PDS) AND SAFETY DATA SHEETS (SDS) FOR ADDITIONAL INFORMATION. ALL DETAIL DRAWINGS AND RELATED INSTALLATION GUIDELINES ARE PROVIDED BY SOPREMA FOR THE SOLE PURPOSE OF ISSUING A SOPREMA WARRANTY. ACCORDINGLY, THE DETAIL DRAWINGS ARE NOT OFFERED, AND SHOULD NOT BE CONSIDERED, AS A SUBSTITUTE FOR PROFESSIONAL DESIGN SERVICES.
2. SOPREMA NOR ITS EMPLOYEES ARE DESIGNER OF RECORD FOR ANY PROJECT. FASTENING PATTERNS PROVIDED BY SOPREMA ARE FOR SOPREMA WARRANTY PURPOSES ONLY. REFER TO LOCAL BUILDING CODES, DESIGNER OF RECORD DOCUMENTS, AND JURISDICTIONAL/AGENCY APPROVALS FOR PROJECT-SPECIFIC FASTENING REQUIREMENTS.
3. ROOF ZONE GUIDELINES PROVIDED HEREIN ARE OFFERED FOR REFERENCE. REFER TO ASCE/SEI 7 FOR SPECIFIC REQUIREMENTS.



US CORPORATE ADDRESS  
 310 QUADRAL DRIVE  
 WADSWORTH, OHIO 44281  
[www.soprema.us](http://www.soprema.us)  
 Tel: 330.334.0066

PROJECT:

TITLE: MECHANICALLY ATTACHED BASE PLY,  
 9" O.C. IN LAP AND ONE ROW BETWEEN LAPS  
 AT 9" O.C. FASTENING PATTERN

DRAWN BY: SOPREMA TECHNICAL SUPPORT, GGALLOWAY

NO.:

REVISION:

DATE:

DATE: 12.17.2019

SCALE: NTS

DRAWING NUMBER:  
**US.FP.06.21**