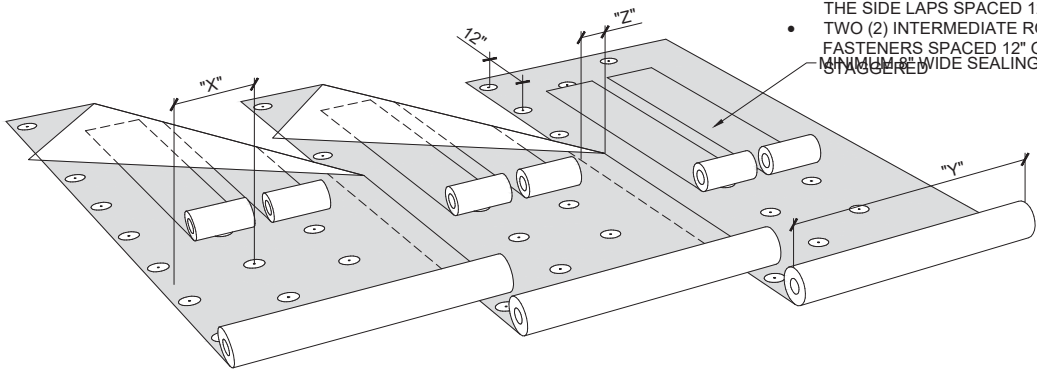


Roll Width (Y)	Lap Width (Z)	Row Spacing (X)	Fasteners Per Square
39in (1m)	4in	11.67in	103
39in (1m)	5in	11.33in	106
39in (1m)	6in	11.33in	110

12" O.C. IN LAP AND TWO ROWS BETWEEN LAPS AT 12" O.C. FASTENING PATTERN

- ONE (1) ROW WITHIN THE CENTER OF THE SIDE LAPS SPACED 12" O.C.
- TWO (2) INTERMEDIATE ROWS, WITH FASTENERS SPACED 12" O.C. AND STAGGERED



- NOTES:
1. SOPREMA DETAIL DRAWINGS: REFER TO SOPREMA AND OTHER RELATED PUBLISHED DOCUMENTATION, PRODUCT DATA SHEETS (PDS) AND SAFETY DATA SHEETS (SDS) FOR ADDITIONAL INFORMATION. ALL DETAIL DRAWINGS AND RELATED INSTALLATION GUIDELINES ARE PROVIDED BY SOPREMA FOR THE SOLE PURPOSE OF ISSUING A SOPREMA WARRANTY. ACCORDINGLY, THE DETAIL DRAWINGS ARE NOT OFFERED, AND SHOULD NOT BE CONSIDERED, AS A SUBSTITUTE FOR PROFESSIONAL DESIGN SERVICES.
 2. SOPREMA NOR ITS EMPLOYEES ARE DESIGNER OF RECORD FOR ANY PROJECT. FASTENING PATTERNS PROVIDED BY SOPREMA ARE FOR SOPREMA WARRANTY PURPOSES ONLY. REFER TO LOCAL BUILDING CODES, DESIGNER OF RECORD DOCUMENTS, AND JURISDICTIONAL/AGENCY APPROVALS FOR PROJECT-SPECIFIC FASTENING REQUIREMENTS.
 3. ROOF ZONE GUIDELINES PROVIDED HEREIN ARE OFFERED FOR REFERENCE. REFER TO ASCE/SEI 7 FOR SPECIFIC REQUIREMENTS.

SOPREMA[®]

US CORPORATE ADDRESS
 310 QUADRAL DRIVE
 WADSWORTH, OHIO 44261
www.soprema.us
 Tel: 330.334.0066

PROJECT: _____

TITLE: **MECHANICALLY ATTACHED BASE PLY,
 12" O.C. IN LAP AND TWO ROWS BETWEEN
 LAPS AT 12" O.C. FASTENING PATTERN**

DRAWN BY: SOPREMA TECHNICAL SUPPORT, GGALLOWAY		
NO.:	REVISION:	DATE:
DATE: 12.20.2019	DRAWING NUMBER: US.FP.06.30	
SCALE: NTS		

USAGE OF THIS DETAIL IS GOVERNED BY THE TERMS OF SERVICE FOR SOPREMA DETAILS. PLEASE CONSULT THESE TERMS OF SERVICE PRIOR TO UTILIZING THIS DRAWING.