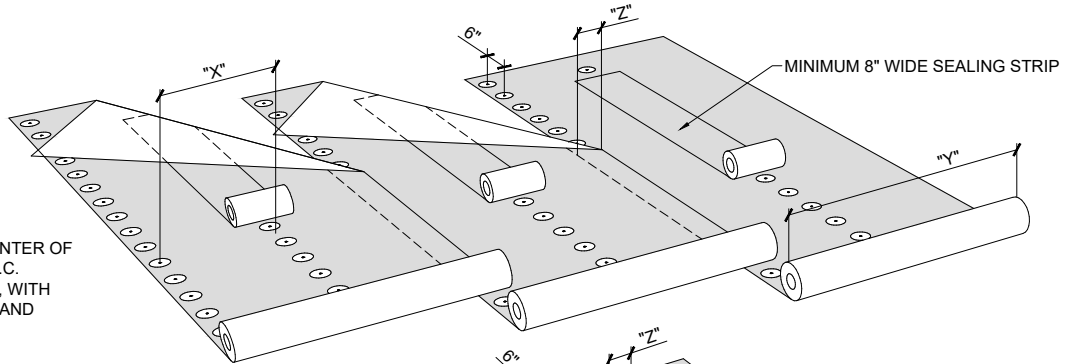
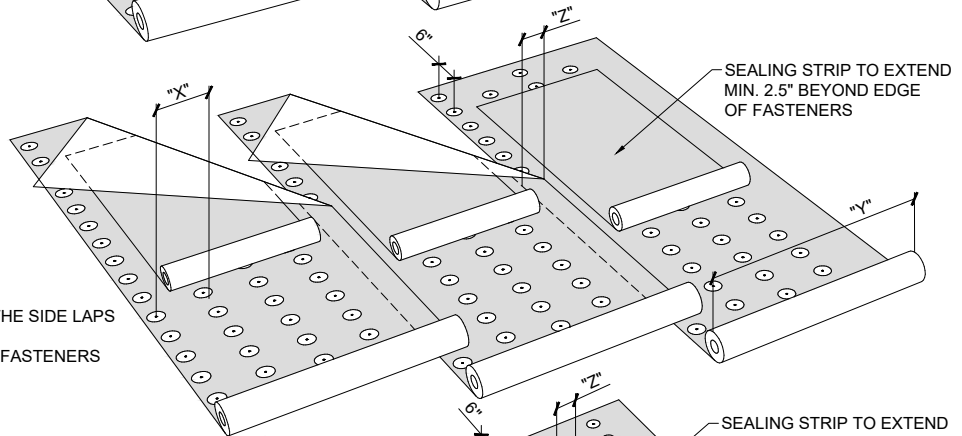


**DRAWING MUST BE VIEWED IN ADOBE ACROBAT TO ENABLE CUSTOM LAYERING**



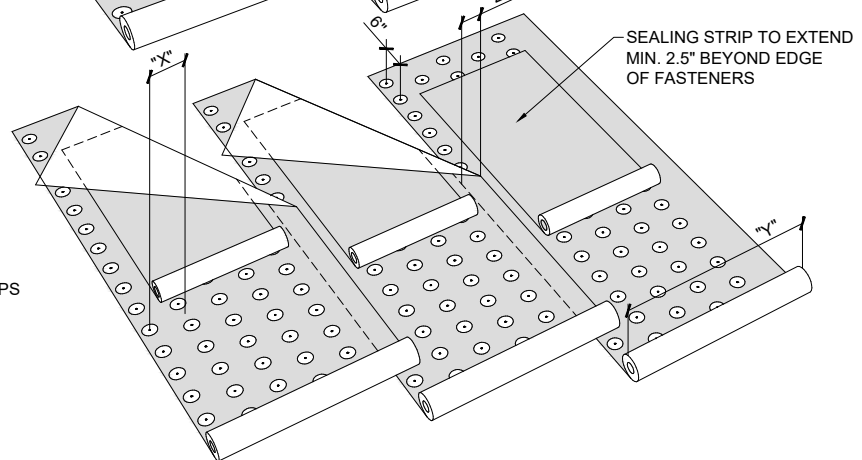
**ZONE 1**

- ONE (1) ROW WITHIN THE CENTER OF THE SIDE LAPS SPACED 6" O.C.
- ONE (1) INTERMEDIATE ROW, WITH FASTENERS SPACED 6" O.C. AND STAGGERED



**ZONE 2**

- NOMINAL 60% OF FIELD ROW SPACING
- ONE (1) ROW WITHIN THE CENTER OF THE SIDE LAPS SPACED 6" O.C.
- THREE (3) INTERMEDIATE ROWS, WITH FASTENERS SPACED 6" O.C. AND STAGGERED



**ZONE 3**

- NOMINAL 40% OF FIELD ROW SPACING
- ONE (1) ROW WITHIN THE CENTER OF THE SIDE LAPS SPACED 6" O.C.
- FOUR (4) INTERMEDIATE ROWS, WITH FASTENERS SPACED 6" O.C. AND STAGGERED

Roll Width (Y)	Lap Width (Z)	Zone	Pattern	Row Spacing (X)	Fasteners Per Square
39in (1m)	4in	1	6,6	17.5in	138
		2	6,6,6,6,6	8.75in	275
		3	6,6,6,6,6,6	7in	343
39in (1m)	5in	1	6,6	17in	142
		2	6,6,6,6,6	8.5in	283
		3	6,6,6,6,6,6	6.8in	353
39in (1m)	6in	1	6,6	16.5in	146
		2	6,6,6,6,6	8.25in	291
		3	6,6,6,6,6,6	6.6in	364

**NOTES:**

1. SOPREMA DETAIL DRAWINGS: REFER TO SOPREMA AND OTHER RELATED PUBLISHED DOCUMENTATION, PRODUCT DATA SHEETS (PDS) AND SAFETY DATA SHEETS (SDS) FOR ADDITIONAL INFORMATION. ALL DETAIL DRAWINGS AND RELATED INSTALLATION GUIDELINES ARE PROVIDED BY SOPREMA FOR THE SOLE PURPOSE OF ISSUING A SOPREMA WARRANTY. ACCORDINGLY, THE DETAIL DRAWINGS ARE NOT OFFERED, AND SHOULD NOT BE CONSIDERED, AS A SUBSTITUTE FOR PROFESSIONAL DESIGN SERVICES.
2. SOPREMA NOR ITS EMPLOYEES ARE DESIGNER OF RECORD FOR ANY PROJECT. FASTENING PATTERNS PROVIDED BY SOPREMA ARE FOR SOPREMA WARRANTY PURPOSES ONLY. REFER TO LOCAL BUILDING CODES, DESIGNER OF RECORD DOCUMENTS, AND JURISDICTIONAL/AGENCY APPROVALS FOR PROJECT-SPECIFIC FASTENING REQUIREMENTS.

US CORPORATE ADDRESS  
310 QUADRAL DRIVE  
WADSWORTH, OHIO 44261  
www.soprema.us  
Tel: 330.334.0066

PROJECT:

TITLE: **MECHANICALLY ATTACHED BASE PLY,  
6" O.C. IN LAP AND ONE ROW BETWEEN LAPS  
AT 6" O.C. FASTENING PATTERN  
AND PRESCRIPTIVE ENHANCEMENTS**

DRAWN BY: SOPREMA TECHNICAL SUPPORT, GGALLOWAY

NO.:                      REVISION:                      DATE:

DATE: 1.30.2020

SCALE: NTS

DRAWING NUMBER:  
**US.FP.16.23**