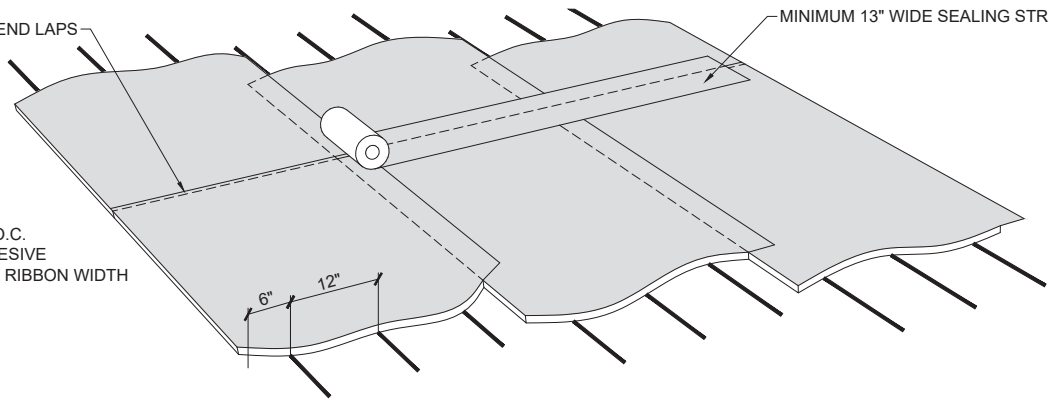


ALIGN BOARD END LAPS

MINIMUM 13" WIDE SEALING STRIP

ZONE 1

- PARALLEL RIBBONS AT 12" O.C.
- REFER TO INSULATION ADHESIVE
- PRODUCT DATA SHEET FOR RIBBON WIDTH

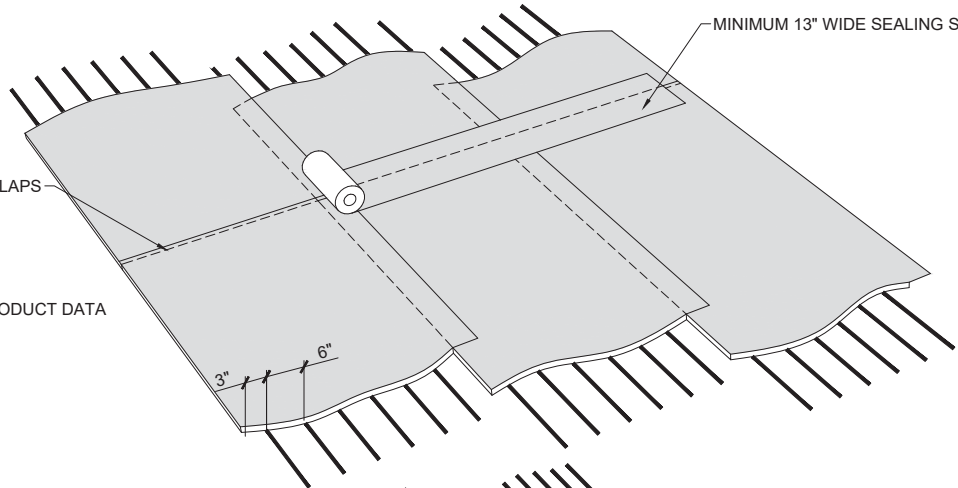


ALIGN BOARD END LAPS

MINIMUM 13" WIDE SEALING STRIP

ZONE 2

- PARALLEL RIBBONS AT 6" O.C.
- REFER TO INSULATION ADHESIVE PRODUCT DATA SHEET FOR RIBBON WIDTH

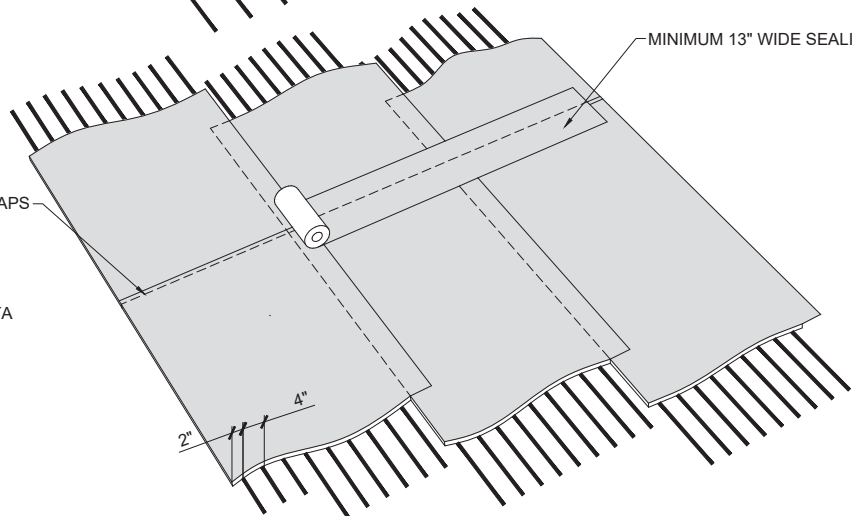


ALIGN BOARD END LAPS

MINIMUM 13" WIDE SEALING STRIP

ZONE 3

- PARALLEL RIBBONS AT 4" O.C.
- REFER TO INSULATION ADHESIVE PRODUCT DATA SHEET FOR RIBBON WIDTH



NOTES:

1. SOPREMA DETAIL DRAWINGS: REFER TO SOPREMA AND OTHER RELATED PUBLISHED DOCUMENTATION, PRODUCT DATA SHEETS (PDS) AND SAFETY DATA SHEETS (SDS) FOR ADDITIONAL INFORMATION. ALL DETAIL DRAWINGS AND RELATED INSTALLATION GUIDELINES ARE PROVIDED BY SOPREMA FOR THE SOLE PURPOSE OF ISSUING A SOPREMA WARRANTY. ACCORDINGLY, THE DETAIL DRAWINGS ARE NOT OFFERED, AND SHOULD NOT BE CONSIDERED, AS A SUBSTITUTE FOR PROFESSIONAL DESIGN SERVICES.
2. SOPREMA NOR ITS EMPLOYEES ARE DESIGNER OF RECORD FOR ANY PROJECT. FASTENING PATTERNS PROVIDED BY SOPREMA ARE FOR SOPREMA WARRANTY PURPOSES ONLY. REFER TO LOCAL BUILDING CODES, DESIGNER OF RECORD DOCUMENTS, AND JURISDICTIONAL/AGENCY APPROVALS FOR PROJECT-SPECIFIC FASTENING REQUIREMENTS.



US CORPORATE ADDRESS
 310 QUADRAL DRIVE
 WADSWORTH, OHIO 44281
www.soprema.us
 Tel: 330.334.0066

PROJECT:

TITLE:

SBS LAMINATED COVERBOARD,
 12" O.C. RIBBONS
 AND PRESCRIPTIVE ENHANCEMENTS

DRAWN BY: SOPREMA TECHNICAL SUPPORT, GGALLOWAY

NO.:

REVISION:

DATE:

DATE: 4.2.2020

SCALE: NTS

DRAWING NUMBER:
US.FP.19.31