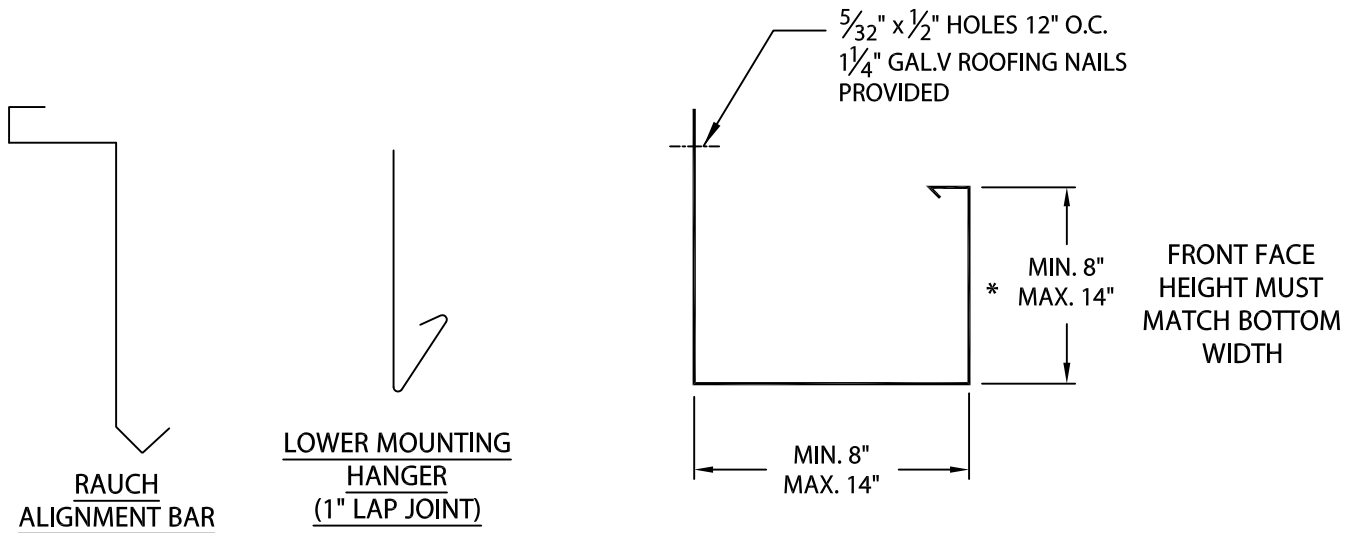
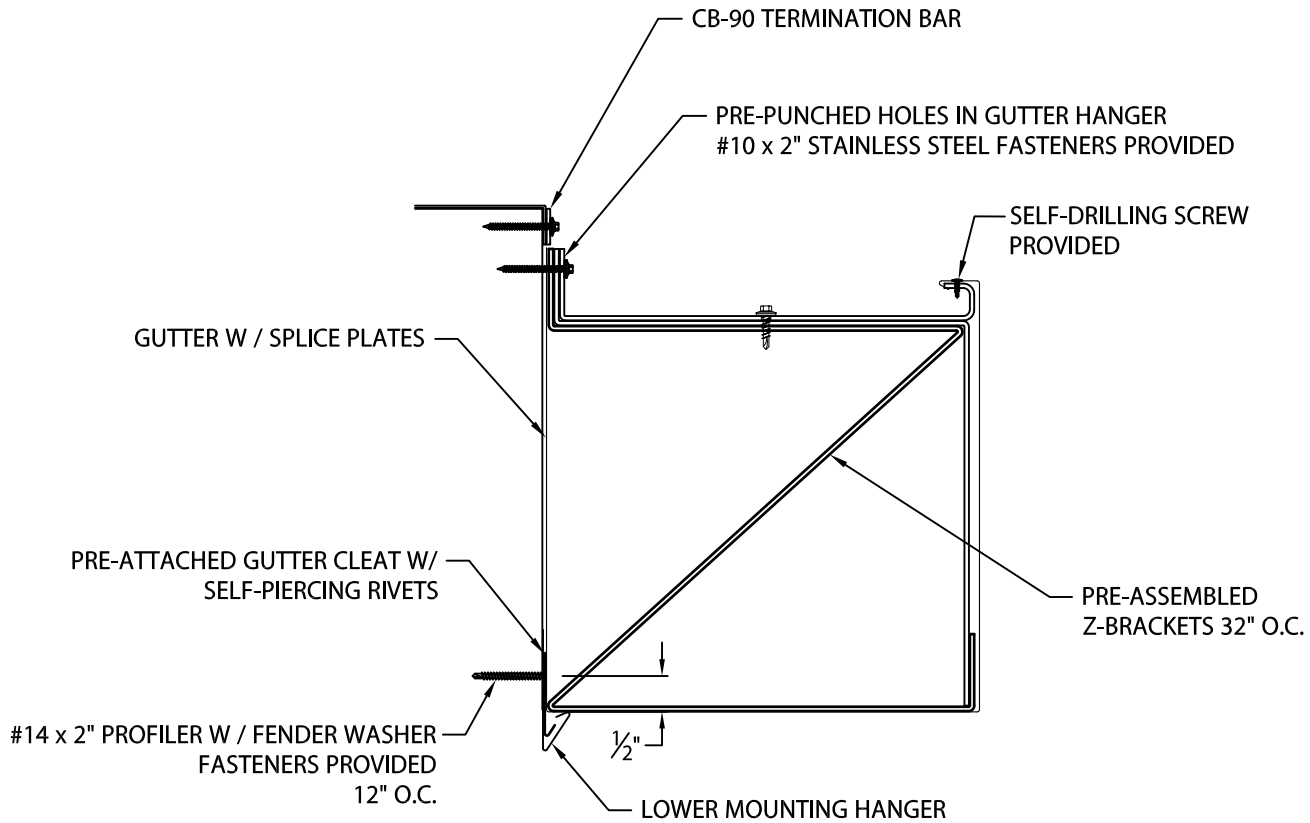


# SOPREMA INDUSTRIAL XL GUTTER

BOX VERSION WITH CB-90 TERMINATION BAR



\* DIMENSION MUST BE A MINIMUM 1" LESS THAN BACKER HEIGHT



800-356-3521  
www.soprema.us

310 Quadral Dr.  
Wadsworth, OH 44281  
f: 330-334-6257

DATE: 08/15/23  
DRN BY: MLM  
CKD BY: MM

SHT.# \_\_\_ OF \_\_\_  
DWG# 33512-41347

A