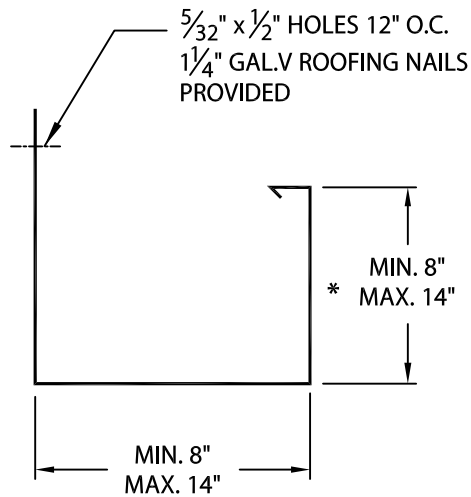
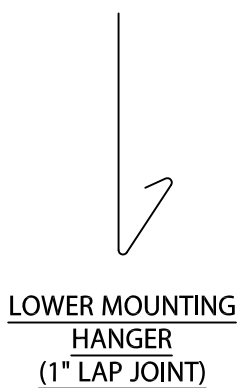
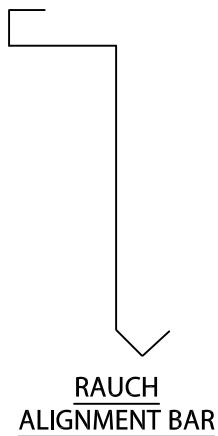
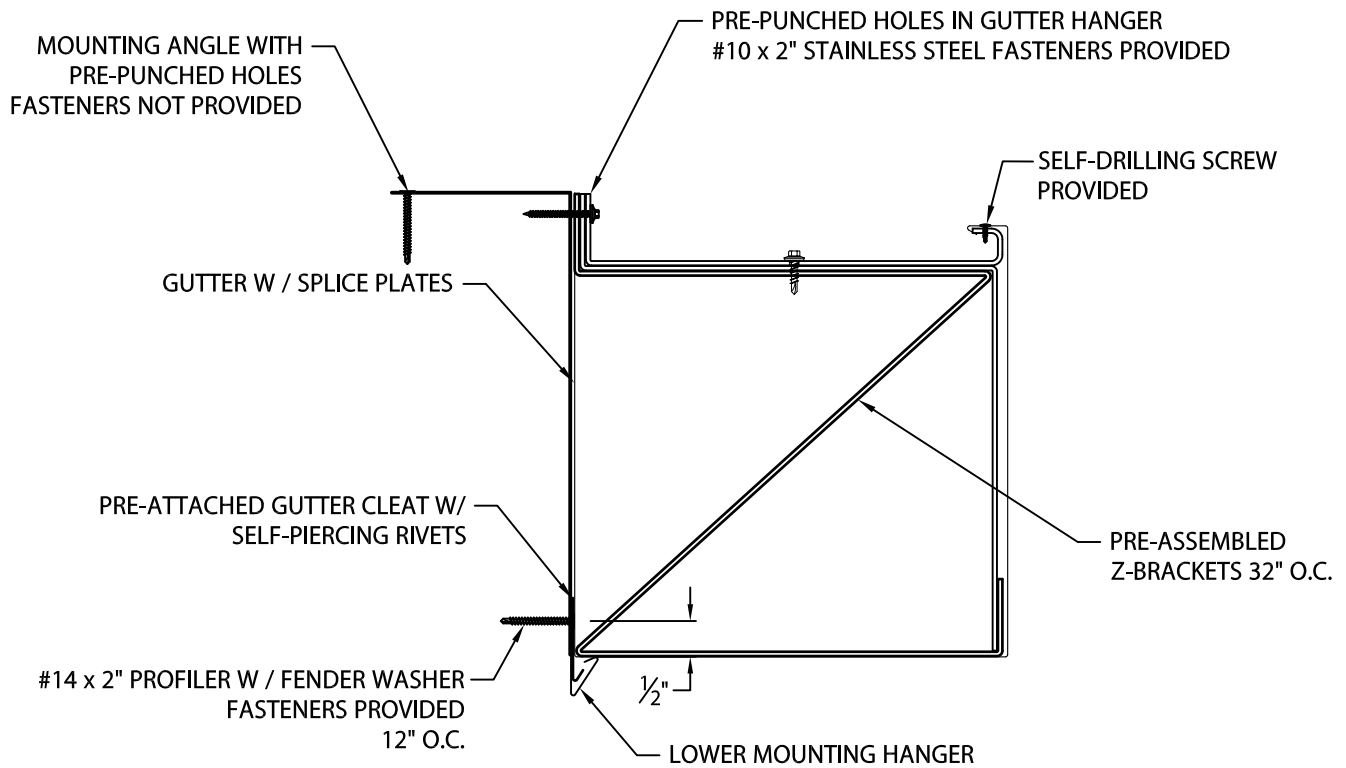


SOPREMA INDUSTRIAL XL GUTTER

BOX VERSION WITH MOUNTING ANGLE



FRONT FACE HEIGHT MUST MATCH BOTTOM WIDTH

* DIMENSION MUST BE A MINIMUM 1" LESS THAN BACKER HEIGHT



800-356-3521
www.soprema.us

310 Quadral Dr.
Wadsworth, OH 44281
f: 330-334-6257

DATE: 08/15/23
DRN BY: MLM
CKD BY: MM

SHT.# ___ OF ___
DWG# 33512-41348

A