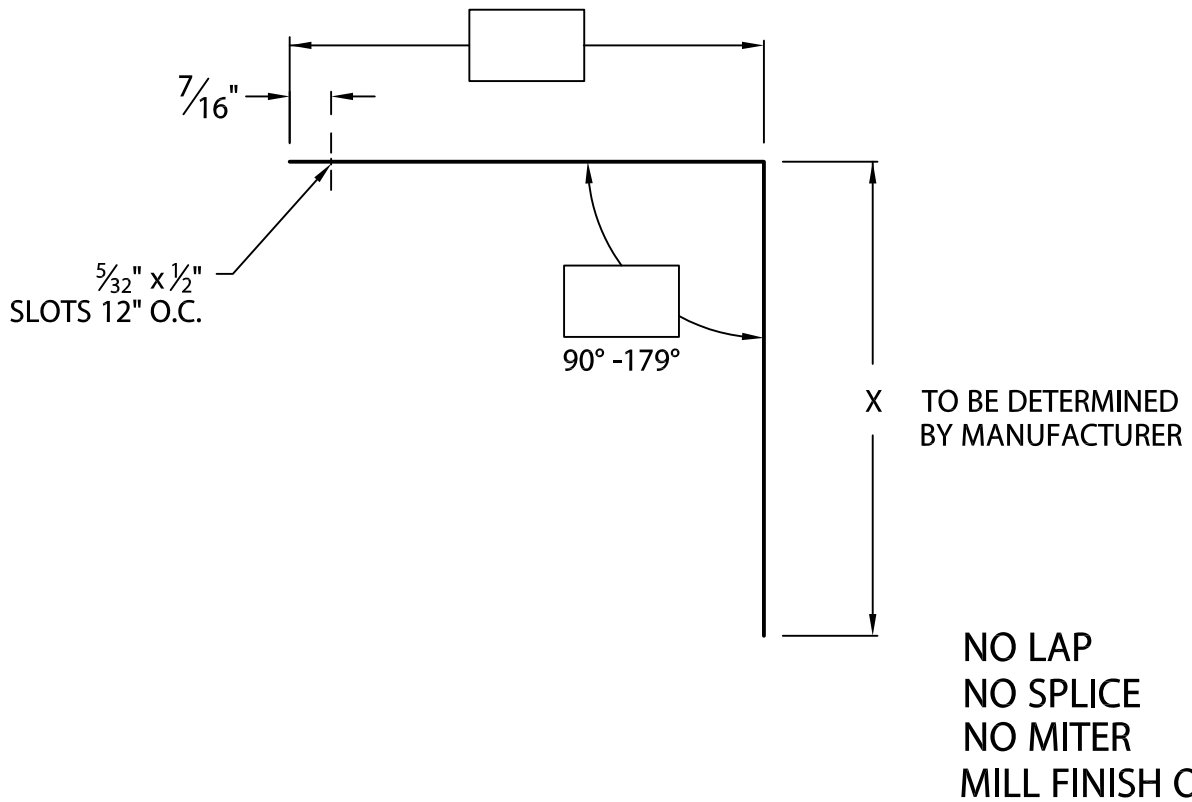


# MOUNTING ANGLE

FOR USE WITH SOPREMA INDUSTRIAL XL GUTTER



Fabrication will proceed only after receipt of signed print approval.

## Print Approval:

Architect and/or contractor shall verify all dimensions, sizes and quantities. All products to be installed in strict accordance with SOPREMA's printed instructions.

Approved by: \_\_\_\_\_

Date: \_\_\_\_\_

FRONT AND BOTTOM HEIGHT	MATERIAL
<input type="checkbox"/> 8" <input type="checkbox"/> 9"	.063" ALUMINUM
<input type="checkbox"/> 10" <input type="checkbox"/> 11"	.080" ALUMINUM
<input type="checkbox"/> 12" <input type="checkbox"/> 13"	.100" ALUMINUM
<input type="checkbox"/> 14"	.125" ALUMINUM

### QUANTITIES:

\_\_\_\_\_ LINEAL FEET 12'-0" LENGTHS

PROJECT:

ARCHITECT:

ROOFING CONTRACTOR:

REPRESENTATIVE/DISTRIBUTOR:

800-356-3521

www.soprema.us

310 Quadral Dr. Wadsworth, OH 44281

f: 330-334-6257

DATE: 08/22/23

DRN BY: MLM

CKD BY: MM

SHT.# \_\_\_\_ OF \_\_\_\_

DWG# 33018-41409

A

